

NOVEMBER 2019 – APPLIQUE BLOCK

“CUPCAKE”

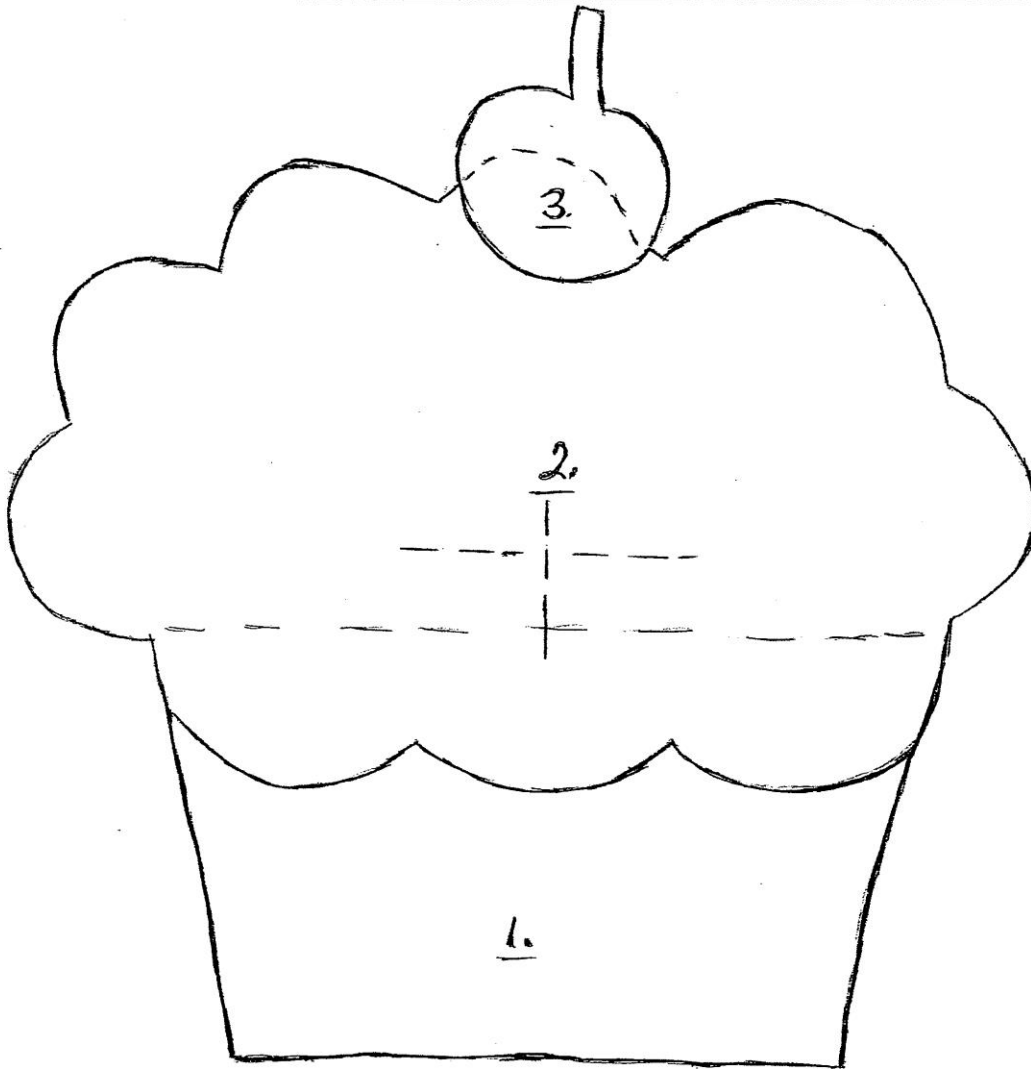
Background – cut a 10 ½ x 10 ½ inch square of white on white

Cupcake – For piece #1 (cupcake), use a brown print of your choice

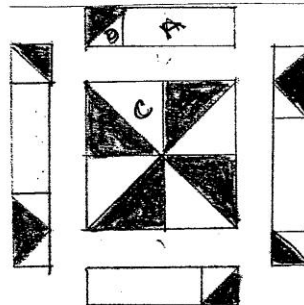
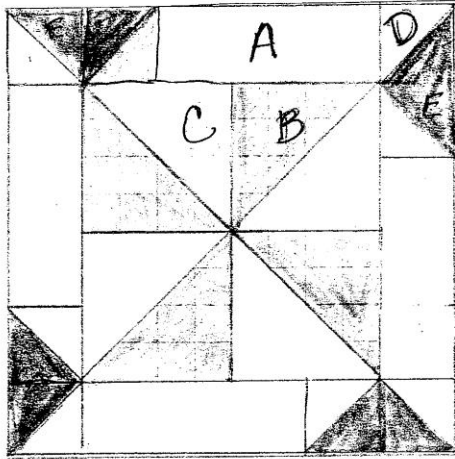
For piece #2 (frosting), use a lighter pink print

For piece #3, (cherry), use a darker pink print

Using the pattern below, cut pieces from the fabrics listed above. Place pieces on background in order listed centering on the background block. Applique by hand or machine.



Block Party
 Pieced block for November, 2019
 "Ranger's Pride"



Fabric needed:

For each block, you will need off white fabric for the background {A}, {C} & {D}. (A fat quarter will make 2 blocks ,or use scraps from your stash.) Four 3" squares of black {E} fabric (E) and two 5" squares of bright print fabric {B}.

From the background fabric: for each block cut two 5" squares, four 3" squares and four 2 ½ " X 6 ½ " rectangles.

Make four half-square triangles with the bright 5" squares and 5" background fabric squares. With right sides together, draw a diagonal line on the light fabric and sew a scant 1/4 " on each side of the line. You will end up with 4 half square triangles. Square these up to 4 ½ "

Repeat the process with the four black and background fabric 3" squares to make 8 half square triangles. Square up the blocks to 2 ½ ".

Following the diagram make the block, but make sure the points of the black triangles are facing toward the middle.